

SECO N 24 25

Stroke 250, 350mm



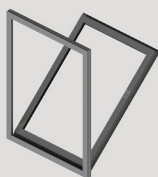
Chain Actuator / 24V dc / 250N

The SECO N 24 25 is a certified and compliant Chain Actuator designed to provide precise and reliable operation for Environmental Ventilation applications.

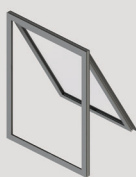
SE Controls manufacture this high-quality 'Made in Britain' actuator with the following features:

- 'Frequency of operation' data logging records every actuator movement
- Compact design with variable options for stroke length
- Standard finish is Grey RAL 9006, can be customised to suit requirements
- Standard flex length is 2m but this can be modified to suit installation requirements
- Extensive range of brackets to suit a variety of window systems
- Quiet operation with configurable speed control

Orientation



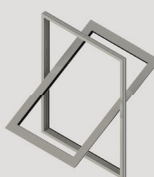
Bottom Hung



Top Hung



Side Hung



Centre Pivot

Accreditations

Tested to BS EN ISO 16032:2004 for BB93 (2015).



Applications



Environmental Ventilation

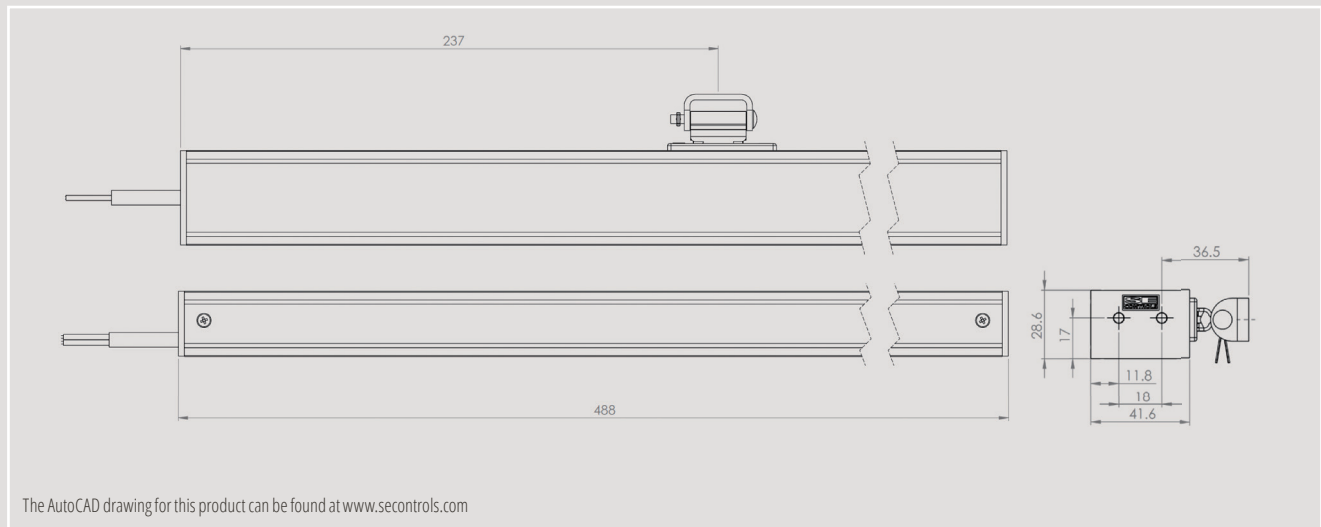
Controllers

Controller	No. Actuators*
3 AMP Transformer	6
NVLogiQ PSU	8
SHEVTEC Controller	16
30 AMP PSU	60
OS2 AC Controller	N/A

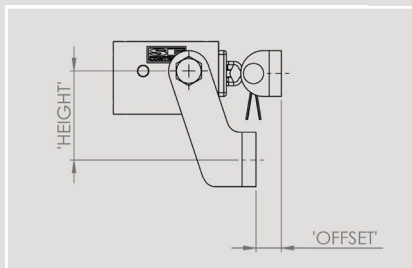
*Recommended maximum no. of actuators

NB: 24V actuators require control from a compatible low voltage unit such as an OS2 SHEVTEC controller or NVLogiQ® PSU and permanent power should not be applied.

Technical Drawing



Standard Bracket Detail



Bracket Product Codes

	Height (mm)		
Offset (mm)	35	40	50
0	AKS18000001	AKS18000002	AKS18000003
5	AKS18050001	AKS18050002	AKS18050003
8	AKS18080001	AKS18080002	AKS18080003
10	AKS18100001	AKS18100002	AKS18100003
15	AKS18150001	AKS18150002	AKS18150003
20	N/A	N/A	AKS18200003



Please ensure the controls have a delay between switching if you are not using SE Controls products.

Technical Data

Actuator	SECO N 24 25
Actuator Type	24V dc Chain Opener
Voltage (all +/-5%)	24V dc
Current Draw (Amp)	0.5A
Stroke	250mm, 350mm (configurable)
Operating Speed	5mm/sec (configurable) 3mm/sec (option single application only)
Ambient Operating Temp	-5°C to +60°C
Thrust Force	250N
Close Force	250N
Soft Close	Yes
Switching	Electronic
Standard Finish	Powder coated Grey (RAL 9006)
Seal Relief	Programmable up to 20mm
Clamping Force	4000N
Colour Option	Other RAL colours available on request
Flex Length	2m
Flex Type	2 core PVC 4 core (volt free contact) as option
Flex Colour	Grey
Product Warranty	15,000 cycles
Duty Cycle	22% (approx. 2 mins on, 7 mins off)
IP Rating	IP20
Bracket	Sill fixing/ face fix/ thru body sill
Synchronisation	Optional
Application	Environmental Ventilation

Product Codes

Silver Grey (RAL 9006)	Operating Voltage	Force	Stroke
AAS0250250S	24V	250N	250mm
AAS0250350S	24V	250N	350mm